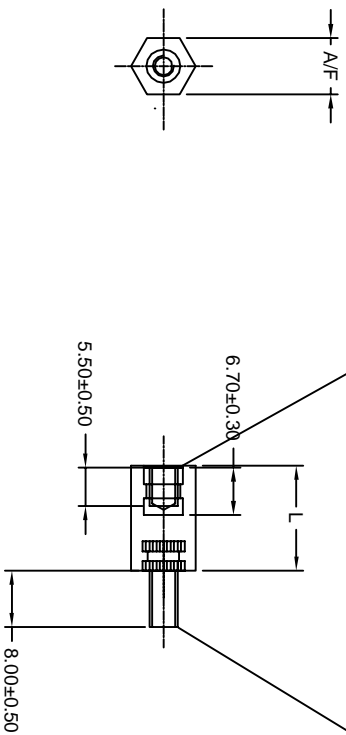


MS Zink Plated Screw M4x8mm  
( M4X6MM & M4X10MM ARE ALSO AVAILABLE )

Brass Insert with M4 Tapping



AVAILABLE SIZES

A/F	L	THREADING	PART CODE
8	15	M4	AEH58415NS
8	20	M4	AEH58420NS

<b>ANAND Enterprises</b>		TOLERANCE UNLESS OTHERWISE STATED		±0.2
HEAT TREATMENT	N/A	ANGLE		+0.10
MATERIAL	NYLON 6 BLACK	DATE	17.8.2011	QTY.
TITLE HEX SPACERS MOLDED WITH INSERTS		DRG.NO.	054	UNIT MM
		SCALE 1:1	SHEET 1 OF 1	