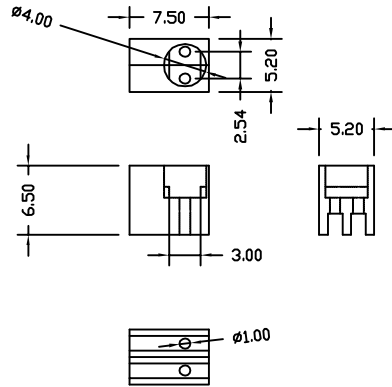
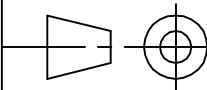


FOR RIGHT ANGLE MOUNTING OF 3MM LED



<i>ANAND</i> Enterprises		TOLERANCE UNLESS OTHERWISE STATED	± 0.2
			ANGLE $\pm 0'10''$
HEAT TREATMENT NA			UNIT MM
MATERIAL NYLON 6 BLACK		DATE 29.7.2017	QTY.
TITLE LED HOLDER FOR RIGHT ANGLE MOUNTING 3MM LED		DRG.NO. 0120	
		SCALE 1:1	SHEET 1 OF 1