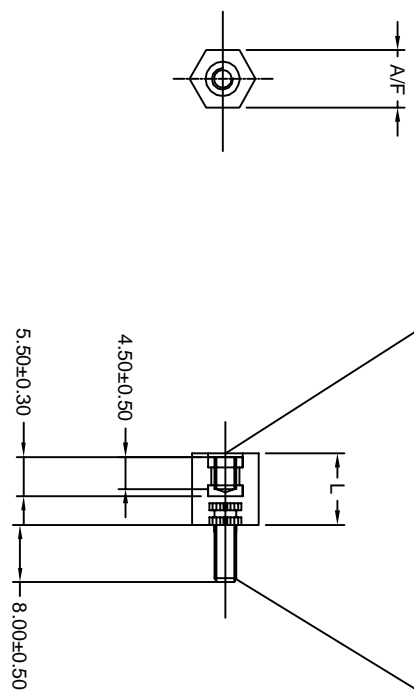


MS Zinc Plated Screw M3x8mm
 M3X6MM & M3X10MM ARE ALSO AVAILABLE

Brass Insert With M3 Tapping



AVAILABLE SIZES

A/F	L	THREADING	PART CODE
8	10	M3	AEHS8310NS8
8	12	M3	AEHS8312NS8

ANAND Enterprises		TOLERANCE UNLESS OTHERWISE STATED		±0.2
HEAT TREATMENT	N.A		UNIT	MM
MATERIAL	NYLON 6 BLACK	DATE	17.8.2011	QTY.
TITLE HEX SPACERS MOLDED WITH INSERTS		DRG. NO.	041	
		SCALE 1:1	SHEET 1 OF 1	