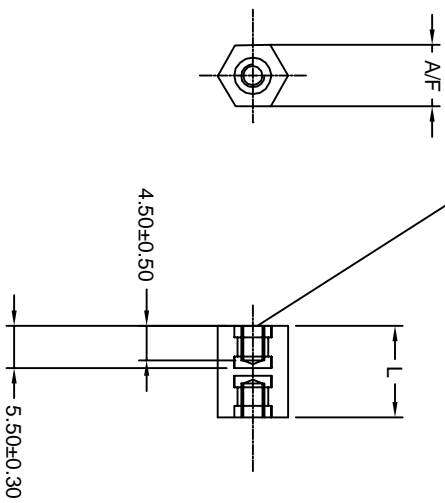


Brass Insert With M3 Tapping



AVAILABLE SIZES

A/F	L	THREADING	PART CODE
8	12	M3	AEHS8312NN

ANAND Enterprises		TOLERANCE UNLESS OTHERWISE STATED		±0.2
HEAT TREATMENT	N/A			ANGLE +0.10
MATERIAL	NYLON 6 BLACK	DATE	17.8.2011	UNIT MM
TITLE HEX SPACERS MOLDED WITH INSERTS		DRG. NO.	112	QTY.
		SCALE 1:1	SHEET 1 OF 1	