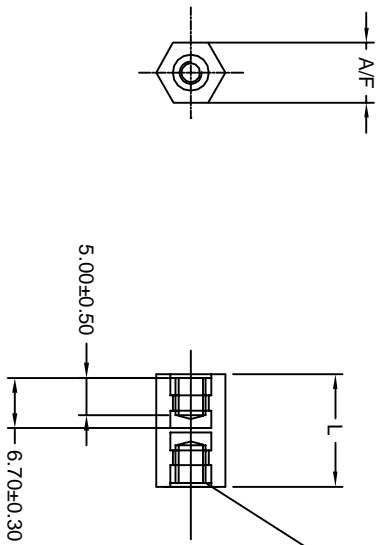


Brass Insert With M3 Tapping



AVAILABLE SIZES

A/F	L	THREADING	PART CODE
8	15	M3	AEHS8315NN
8	20	M3	AEHS8320NN
8	25	M3	AEHS8325NN

<b>ANAND Enterprises</b>		<b>TOLERANCE UNLESS OTHERWISE STATED</b>		$\pm 0.2$
HEAT TREATMENT	N/A			ANGLE $\pm 0.10^\circ$
MATERIAL	NYLON 6 BLACK	DATE	26.9.2016	UNIT <b>MM</b>
TITLE <b>HEX SPACERS MOLDED WITH INSERTS</b>		DRG.NO.	114	QTY.
		SCALE	1:1	SHEET 1 OF 1