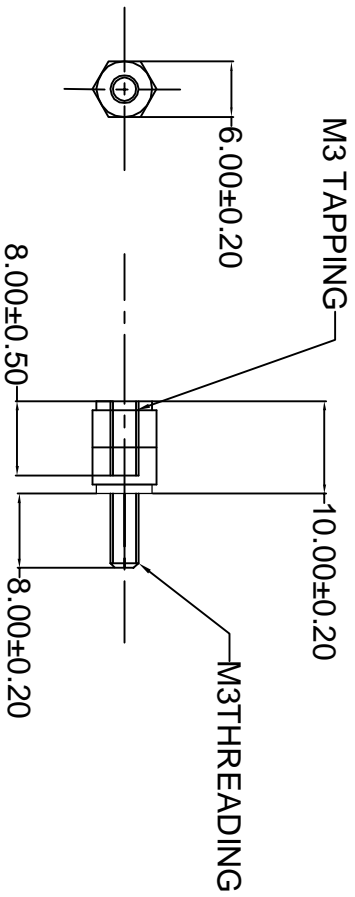


AVAILABLE SIZES

A/F	L	THREADING	PART CODE
6	10	M3	AENSG310
6	12	M3	AENSG312
6	15	M3	AENSG315
6	20	M3	AENSG320
6	25	M3	AENSG325



<p>ANAND Enterprises</p>		<p>TOLERANCE UNLESS OTHERWISE STATED</p>		<p>±0.2</p>
		<p>OTHERWISE STATED</p>		<p>ANGLE ±0°10'</p>
HEAT TREATMENT	NA			UNIT
MATERIAL	NYLON 66 BLACK	DATE	31.10.2021	QTY.
TITLE	NYLON STUD	DRG. NO.	0501	
		SCALE	5:1	SHEET 1 OF 1