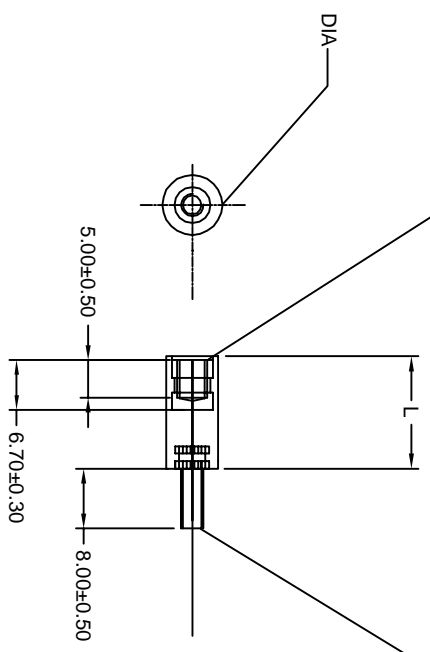


MS Zink Plated Screw M3x8mm
 (M3X6MM & M3X10MM ARE ALSO AVAILABLE)



AVAILABLE SIZES

DIA	L	THREADING	PART CODE
8	14	M3	AERS8314NS

ANAND Enterprises		TOLERANCE UNLESS OTHERWISE STATED		± 0.2
HEAT TREATMENT	N/A			ANGLE $\pm 0.10^\circ$
MATERIAL	NYLON 6 BLACK	DATE	26.9.2016	UNIT MM
TITLE ROUND SPACERS MOLDED WITH INSERTS		DRG.NO.	027	QTY.
		SCALE	1:1	SHEET 1 OF 1